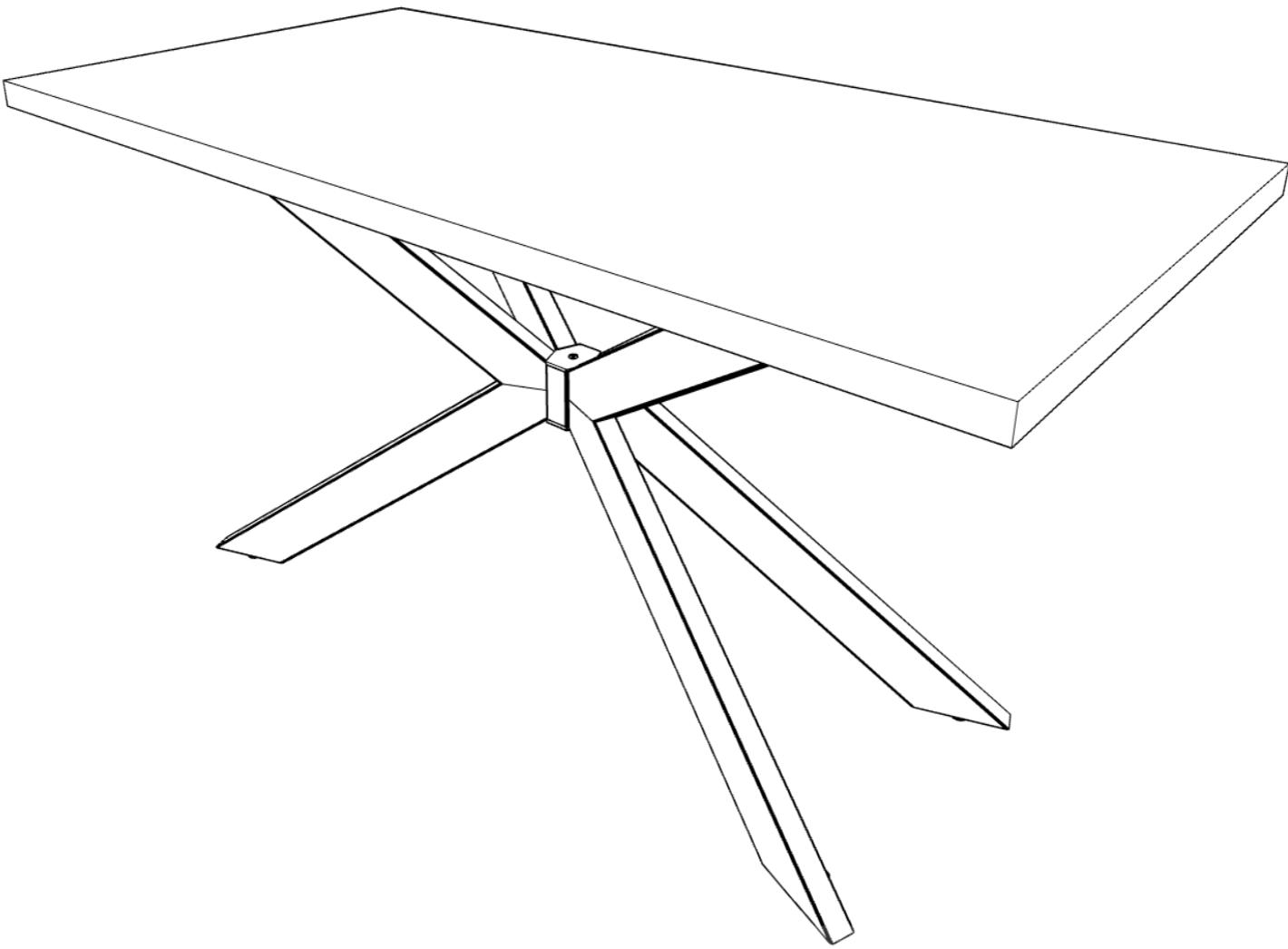


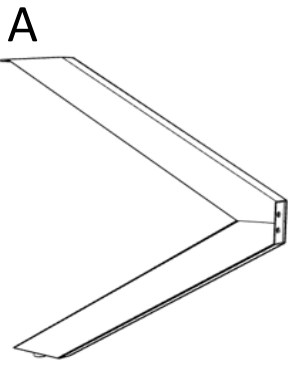
INSTRUCTIUNE ASAMBLARE MASA PORTO



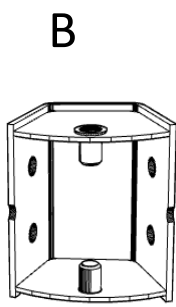
<p>Dificultate</p> <p>★★★★☆</p>	<p>Timp Util</p> <p>🕒 20min</p>	<p>Unelte</p> <p>🔧</p>	<p>Persoane</p> <p>👤</p>
---------------------------------	---------------------------------	------------------------	--------------------------

Estimativ ,calculat in baza experientei producatorului

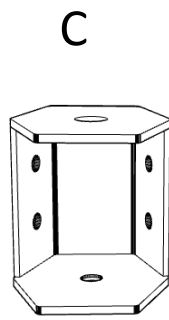
MATERIALE FURNIZATE



4X



1X



1X



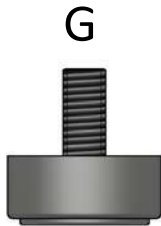
M8x25mm
8x



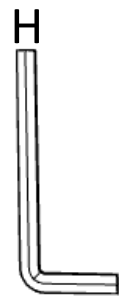
M6x16mm
4x



M8x25mm
2x



4xM8

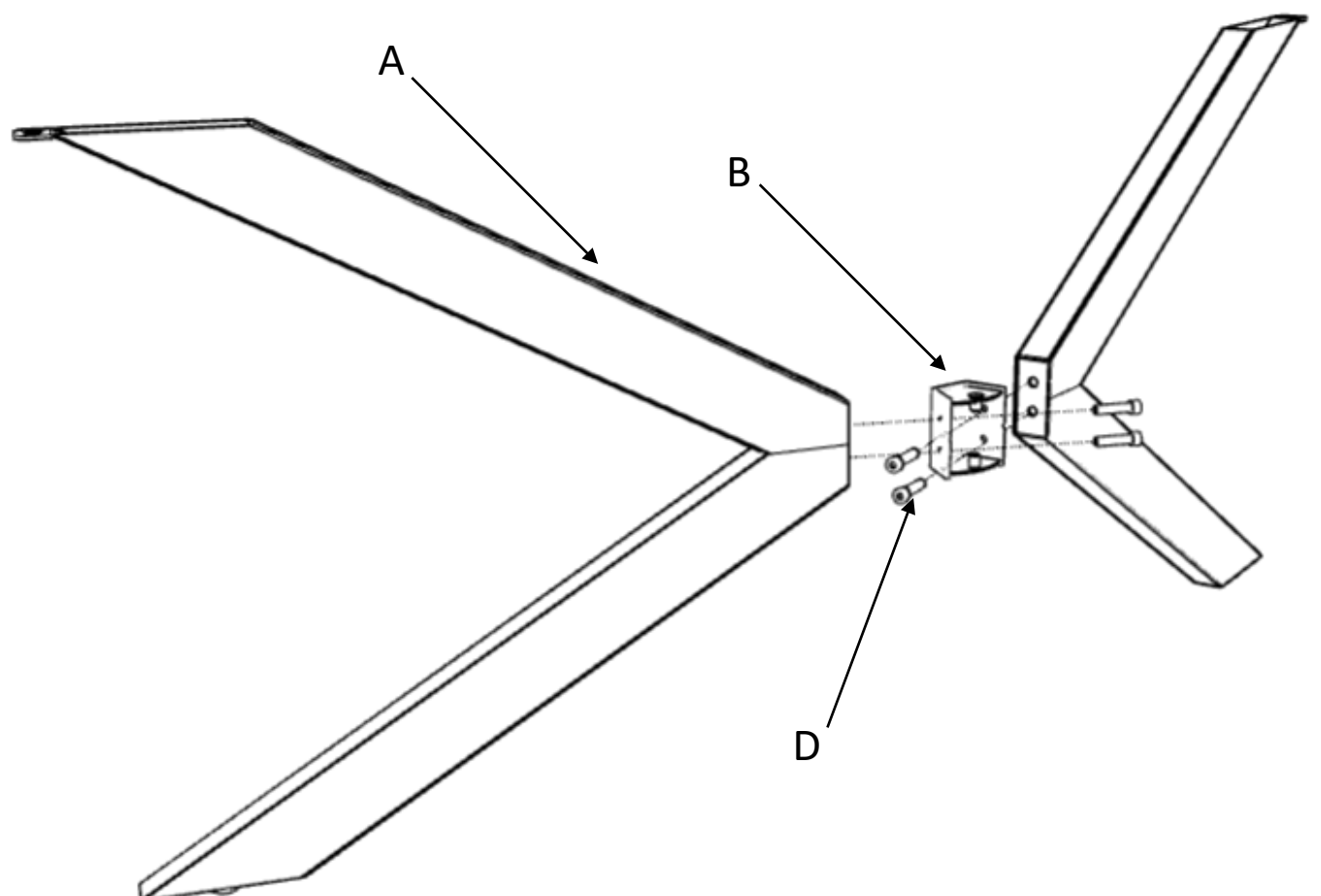


1xM8

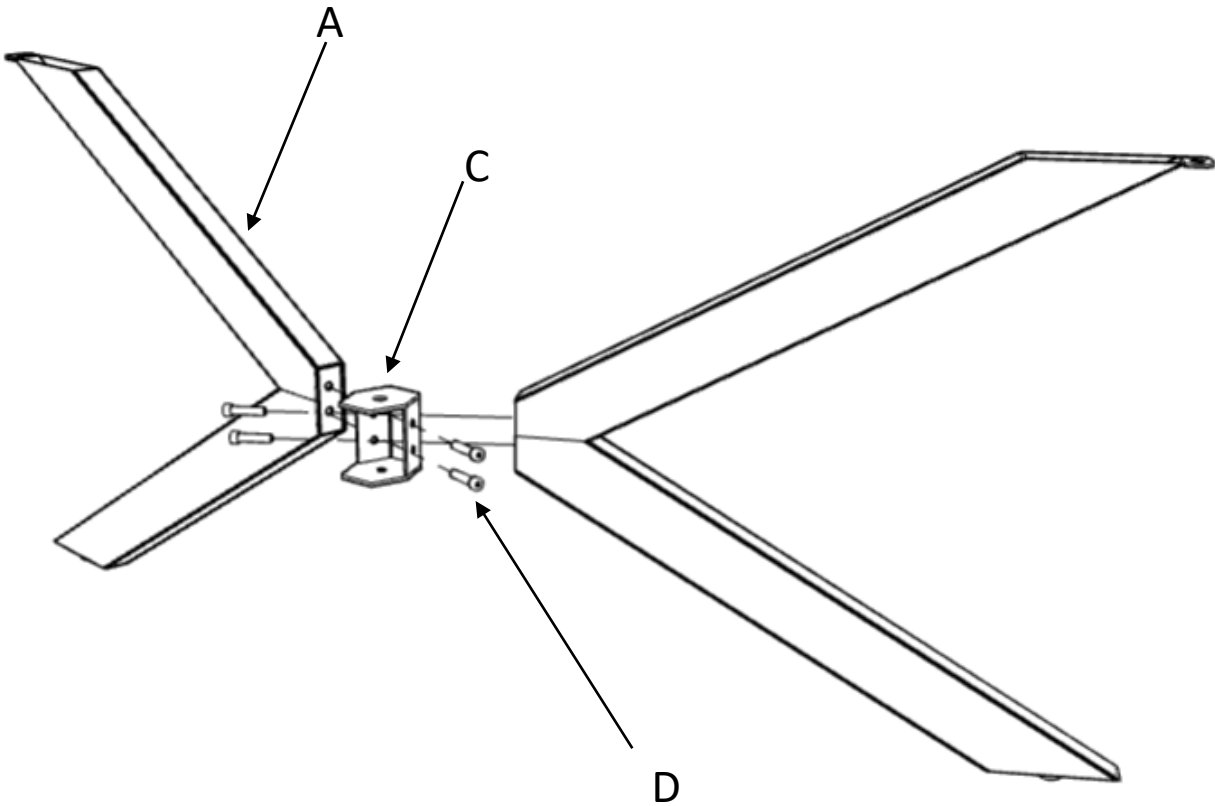


1xM6

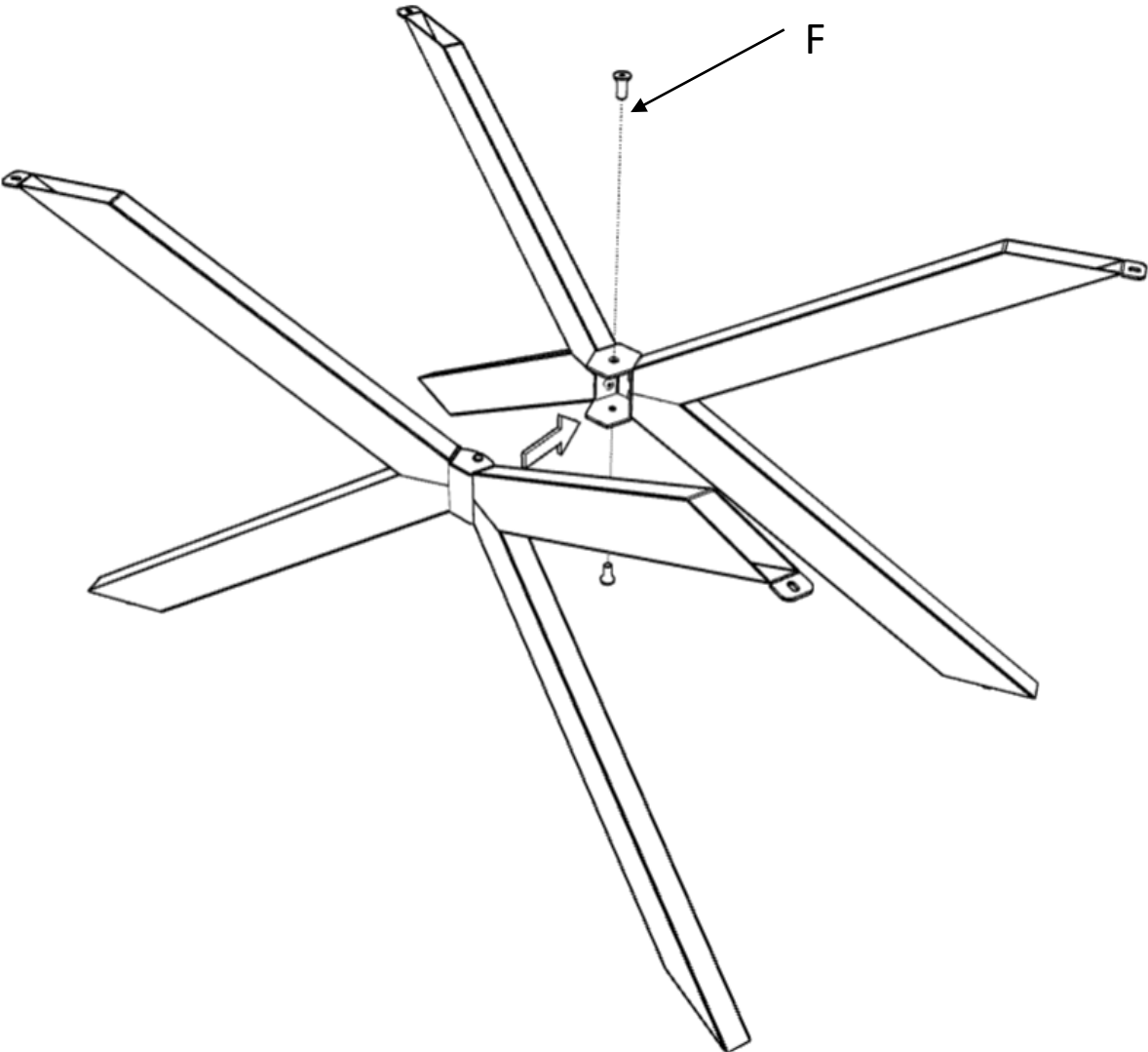
PASUL 1



PASUL 2



PASUL 3



PASUL 4

